

FR-HGS

FR-HGS Series

High Efficiency Oil-Fired Steel Water Boiler



New Yorker[®]

RESIDENTIAL HEATING BOILERS



WHY

Why Hydronic Heat by New Yorker?



New Yorker has produced a variety of boilers for a wide range of applications with simple installation and service. As part of the New Yorker family of products, the FR-HGS oil-fired steel boiler delivers the proven features that have made New Yorker the choice of heating professionals nationwide.

Efficient & Economical

The FR Heat Generating Source from New Yorker has earned an enviable reputation for top-rated trouble-free performance.

The FR-HGS steel boiler design, along with a boiler-powered domestic hot water tank, will maximize heat transfer for the most efficient use of fuel—saving you valuable heating dollars.

Reliable

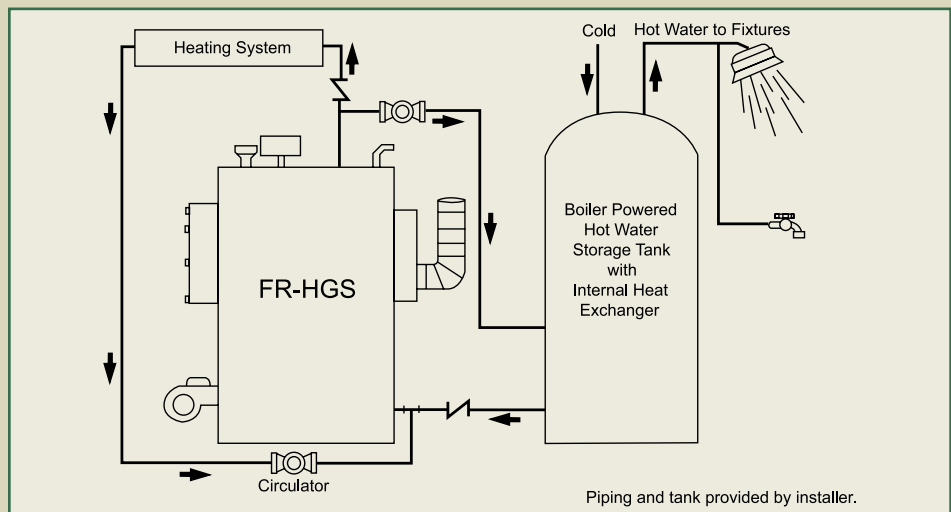
The New Yorker FR-HGS Series Boiler uses only name brand controls and accessories, giving you years of comfortable, reliable heating.

The FR-HGS Series' boiler plate steel heat exchanger and steel turbulators are designed for maximum heat transfer efficiency.

In comparison with most cast iron boilers, the FR-HGS heats up

quickly, and has less pick-up and stand-by loss. Plus, the FR-HGS matches any boiler on the market for long-lasting quality.

- New Yorker stands behind the heat exchanger of the FR-HGS Series with a Lifetime Limited Warranty. See your installing contractor for more warranty information.
- The steel heat exchanger is designed for easy maintenance, saving you money.
- The heat exchanger design and construction meets the requirements of the ASME boiler and pressure vessel code—this ensures quality and safety for you.
- The FR-HGS Series is available as a knockdown boiler which allows easier boiler room accessibility.



Advantages of the FR-HGS

ADVANTAGES

Top Rated for Efficiency
and net stack temperature—
up to 87.8% AFUE



Top Quality Components
are standard, including Taco
circulator, Honeywell controls
and Beckett Oil Burner

**Hinged Flue Door
& Burner Door**
for easier access and
cleaning

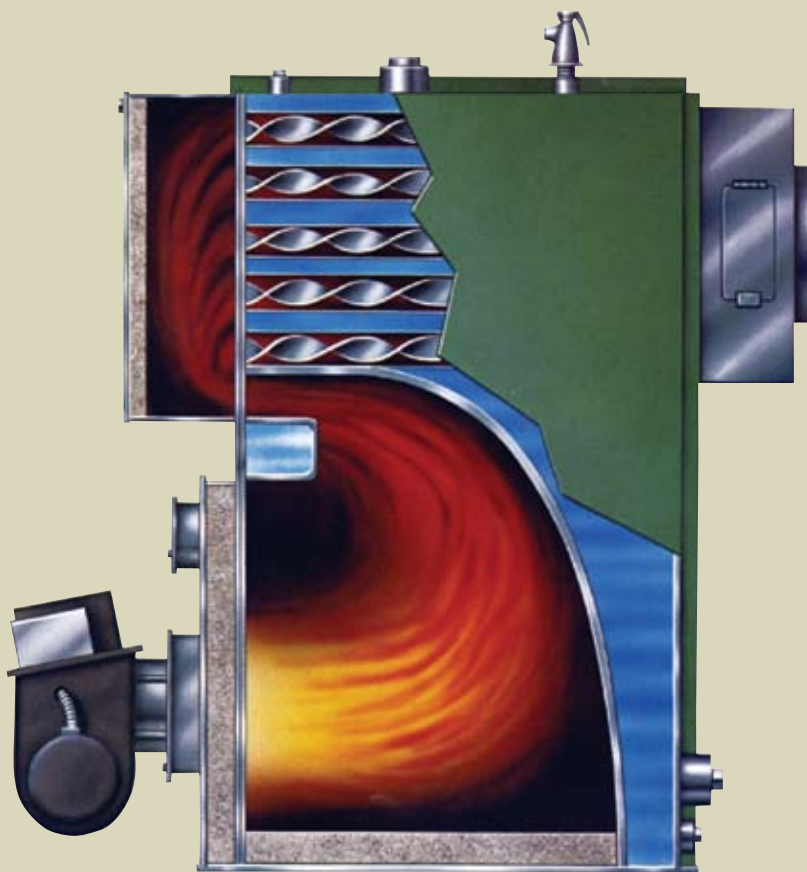
Deluxe Insulated Jacket
increases efficiency by
reducing stand-by heat losses

Horizontal Firetube Boiler
- longer service life
- easy cleaning
- consistent output ratings
year after year

**1/4" and 5/16"
Boiler-Plate Steel**
meet the requirements of
the ASME Boiler and
Pressure Vessel Code

**Flame Retention
Beckett Burner**
and natural draft venting ensure
high efficiency combustion
(Optional - Riello Burner)

Wet Leg Design
provides more heat transfer
surface for increased heating
efficiency



Abundant Domestic Hot Water
needs will be met when the
FR-HGS is used with any boiler
powered hot water storage tank

**Available in 2 Sizes
and 3 Firing Rates**
to ensure that there is one
for your home heating needs

Ratings & Specifications

Model	HGSI	HGSI	HGSII
DOE Heating Capacity MBH	100	122	158
Net IBR Output MBH	87	106	137
AFUE %	87.8%	86.3%	85.0%
IBR Firing Rate (gal./hr.)	.80	1.00	1.30
Nozzle Specification	.65 60° W	.80 60° B	1.10 60° W
Stack Diameter (in.)	6"	6"	7"
Number of Tubes	11	11	13
Boiler Water Capacity (gal.)	9.5	9.5	9
Supply Size (dia.)	1-1/4"	1-1/4"	1-1/4"
Return Size (dia.)	1-1/4"	1-1/4"	1-1/4"
Chimney Size (min.)	8" x 8" 15'	8" x 8" 15'	8" x 8" 15'
Approximate Shipping Weight	402	402	410
Jacket Height - 'A' (in.)	31-7/8	31-7/8	31-7/8
Jacket Width - 'B' (in.)	19-7/8	19-7/8	19-7/8
Jacket Depth - 'C' (in.)	18-3/8	18-3/8	18-3/8
Smoke Outlet Height - 'D' (in.)	25-3/4	25-3/4	26-1/2
Overall Depth - 'E' (in.)	31-3/8	31-3/8	31-3/8
Smokebox Depth - 'F' (in.)	3-1/8	3-1/8	3-1/8
Flue Collar O.D. - 'G' (in.)	5-7/8	5-7/8	6-7/8

