

---

# microTEK3<sup>TM</sup> Series

Low Mass Oil-Fired Steel Water Boiler



**New Yorker**<sup>®</sup>

RESIDENTIAL HEATING BOILERS

---

# WHY

## Why Hydronic Heat by New Yorker?



New Yorker has produced a variety of boilers for a wide range of applications with simple installation and service. As part of the New Yorker family of products, the microTEK3 oil-fired steel boiler delivers the proven features that have made New Yorker the choice of heating professionals nationwide.



### The Options You Need

When the time comes to replace your existing boiler, and you need a reliable and affordable heat source, ask your contractor about the New Yorker microTEK 3 Series.

The microTEK 3 can fill most needs from direct vent applications to chimney or natural draft. Reversible cast iron swing door allows for easy cleaning and servicing.

### Efficiency

The microTEK 3 steel boiler design maximizes heat transfer and limits wasted energy for the most efficient use of fuel. The low mass heat exchanger, two inches of insulation and an AFUE of 86.7% all attribute to this.

### Durability

The New Yorker microTEK 3 Series boiler uses only name brand controls and accessories, giving you years of comfortable, reliable heating.

The microTEK 3 Series' boiler combines the heat exchanger

qualities of steel with the durability of cast iron.

The deluxe oil burner, a high-speed flame retention unit, is top rated for performance.

The heat exchanger design and construction meets the requirements of the ASME boiler and pressure vessel code—this ensures quality and safety for you.

### Peace of Mind

- New Yorker stands behind the heat exchanger of the microTEK 3 Series with a Lifetime Limited Warranty. See your installing contractor for more warranty information.
- The microTEK 3 will provide a consistent even heat in all climates and weather conditions.
- Adding a boiler powered indirect water heater provides abundant hot water for domestic use, hot tubs, spas, and whirlpools.

# Advantages of the microTEK3

# ADVANTAGES

## Top Quality Components

are standard, including Taco circulator, Honeywell controls and Beckett Oil Burner

## Deluxe Insulated Jacket

increases efficiency by reducing stand-by heat losses



## Powder Coated Paint

for extra boiler durability and clean appearance

## Durable Swing Door

reversible cast iron swing door, allows for easy cleaning and service

## Cast Iron Reversible Plate

## Flame Retention Beckett Burner

and natural draft venting ensure high efficiency combustion  
(Optional - Riello Burner)

# Advantages of the microTEK3 DV



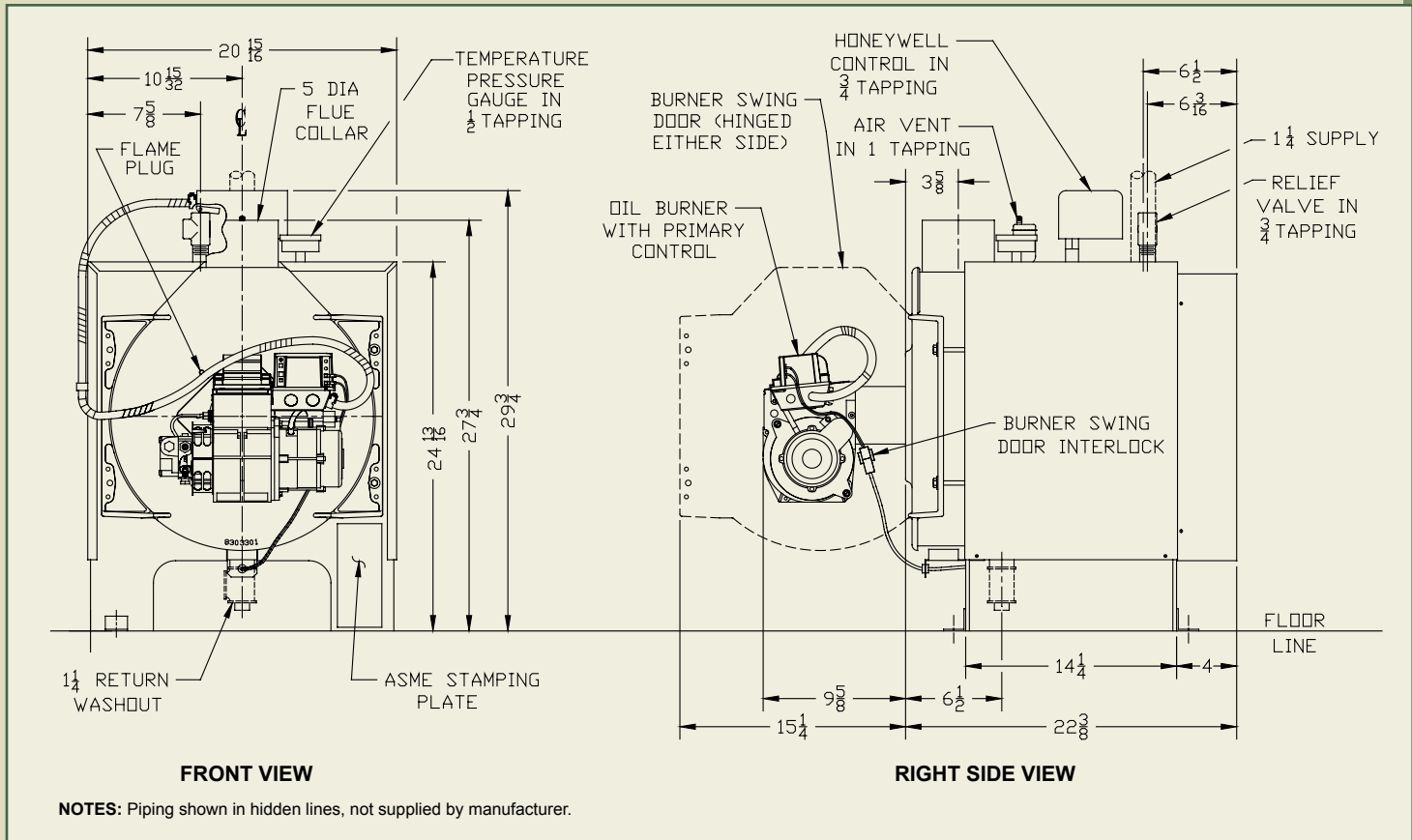
## microTEK3 DV

the direct vent boiler option saves the additional expense of repairing a chimney

(10'/20' flexible exhaust vent tubing available for DV)

# Ratings & Specifications

Model	3-1	3-2	3-3	3-DV1	3-DV2	3-DV3
<b>DOE Heating Capacity MBH</b>	74	117	143	74	117	143
<b>Gross IBR Output MBH</b>	74	117	143	74	117	143
<b>Net IBR Water MBH</b>	64	102	124	64	102	124
<b>AFUE %</b>	86.7	83.0	81.5	86.7	83.0	81.5
<b>Firing Rate</b>	.60	1.00	1.25	.60	1.00	1.25
<b>Overall Length of Swing Door (opened)</b>	15-1/4"	15-1/4"	15-1/4"	15-1/4"	15-1/4"	15-1/4"
<b>Overall Boiler Length</b>	22-3/8"	22-3/8"	22-3/8"	22-3/8"	22-3/8"	22-3/8"
<b>Overall Boiler/Burner Length</b>	32"	32"	32"	32-1/4"	32-1/4"	32-1/4"
<b>Overall Boiler Width</b>	20-5/8"	20-5/8"	20-5/8"	20-5/8"	20-5/8"	20-5/8"
<b>Overall Boiler Height</b>	29-3/4"	29-3/4"	29-3/4"	29-3/4"	29-3/4"	29-3/4"
<b>Stack Height</b>	27-3/4"	27-3/4"	27-3/4"	27-3/4"	27-3/4"	27-3/4"
<b>Flue Collar Diameter</b>	5"	5"	5"	5"	5"	5"
<b>Return Size</b>	1-1/4"	1-1/4"	1-1/4"	1-1/4"	1-1/4"	1-1/4"



© 2005 New Yorker Boiler Company, Inc.  
 Hatfield, PA  
 (215) 855-8055  
 www.newyorkerboiler.com  
 PL81420031000-12/05-2.5Ms

